

Actuation Centre - Actuated Valves Series 966P

Cast Iron 3 way Flanged PN16 Pneumatic Actuated



Main Features :-

Full bore	Available with single acting
Stainless Steel ball and stem	Double acting actuator
L port or T port	Switchbox
Teflon seats and PTFE seals	Solenoid
Flanged PN16	Electro pneumatic positioner
2" to 8"	Assembled and Tested
Manual version available	8 bar rated



TYPE: 966P PNEUMATIC

Technical Specifications and Key Dimensions:

Specifications:	
Actuator housing:	Hard anodised aluminium
Actuator ATEX rating:	ATEX II 2GD EExd
Actuator Temp rating:	-20 +80C
Actuator pressure rating:	8 bar Max
Valve Approval:	None
Valve ends available:	PN16
Size range:	2" to 8"
Valve temp limits:	-10 to +120C
Valve pressure limits:	16 bar

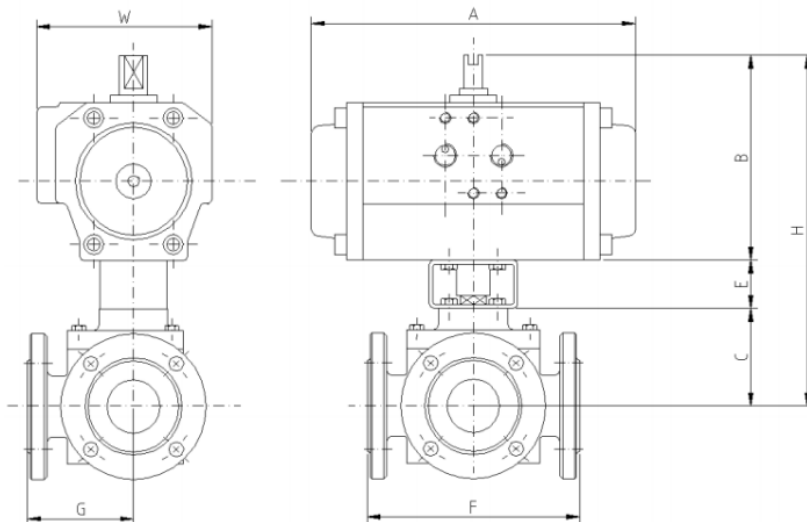
Assembly Overview:-

A cost effective pneumatically operated stainless ball valve available in double acting (air to open air to close) or single acting (failsafe, air to open spring to close). With a stainless ball and stem you get the benefit of a stainless ball valve at the price of a cast iron valve.

Don't forget your Switchboxes and / or Solenoid valve, positioner.



Size	Double Acting		Single Acting	
	F	H	F	H
2"	220	Call	220	Call
2 1/2"	250	Call	250	Call
3"	260	Call	260	Call
4"	340	Call	340	Call
5"	424	Call	424	Call
6"	435	Call	435	Call
8"	Call	Call	Call	Call



Did you know?

We can offer the above assembly with a stainless mounting kit for temperature applications above 70+C. Note this typically adds 50-70mm to the overall height of the assembly - dimension H above.

ISO 9001:2015 Accredited Company

Tel: +44(0)1386 552369

Fax: +44(0)1386 554227

sales@allvalves.co.uk

www.allvalves.co.uk

Allvalves Online Ltd, Automation House, Unit 2, Pershore, WR10 2DF UK